



classiq Exclusiv Wiring Accessories

Contents

Introduction	24
General	25
Easy mounting	26
Ordering details	
Switches	27/28
Socket outlets	29
Fused connection units	29
Communication outlets	30
Blanking plates	31
Coloured frames	31
Modular Series	32

classiq Exclusiv Introduction



Yet another breakthrough in the finest quality through our German engineering. ABB introduces the new range of slim wiring accessories with the finesse of Italian design. Whether it is contemporary or sophisticated, it allows you to create interiors that enhance your design concepts.

نصر اخر للجودة حقق من خلال معايير التقنيه الألمانية، نقدم لك من ايه بي بي الطراز الجديد من عائلة كلاسيك لمهمات التوصيل (كلاسيك إكسكلوسيف) ذات الذوق الإيطالي، الذي يمكنك من تنمية إبتكاراتك في الديكور مهما كانت المدرسة الفنية التي ستصمم من خلالها

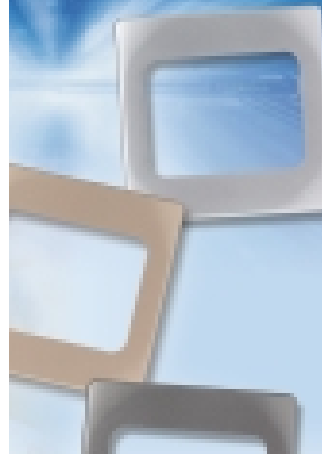
The quality of the material and the design ensure that the switch remains permanently attractive, not to mention meeting the demands of every individual taste in interior decoration. A modern switch series that always leaves an everlasting impression wherever it is.

الجاذبية الدائمة هي هدف جودة الخامات والتصميم، وهذه الجاذبيه ستلبى رغباتك مهما كان ذوقك الشخصي في الديكور لأنها مفاتيح الإنارة التي تترك اثراً أينما كانت.



classiq Exclusiv General

In the fine tradition of our renowned classiq Exclusiv range comes yet another breakthrough - introducing 3 new frame colours (Platinum, Millennium & Titanium). The classiq Exclusiv is the latest range of slim wiring accessories with a subtle and pleasant touch of colours. Create interiors to reflect your true design flair, be it contemporary, sophisticated or simply you.



نقدم لعملائنا ثلاث ألوان جدد لإطارات عائلة كلاسيك اكسكلوسيف (بلاتينيوم - تيتانيوم - ميلينيوم) لها نفس جودة منتجاتنا ، ومع هذه الألوان المتمسة بالبرقة والروعة تستطيع أن تجعل مكان إقامتك أو عملك مناسب لك ولذوقك الشخصي



A new prestigious range of wiring accessories with a front plate of only 4mm superslim- design, materials that are strikingly glossy, giving it a smooth after feeling when you switch it on. The rocker has a new waveline design and perfect curve.

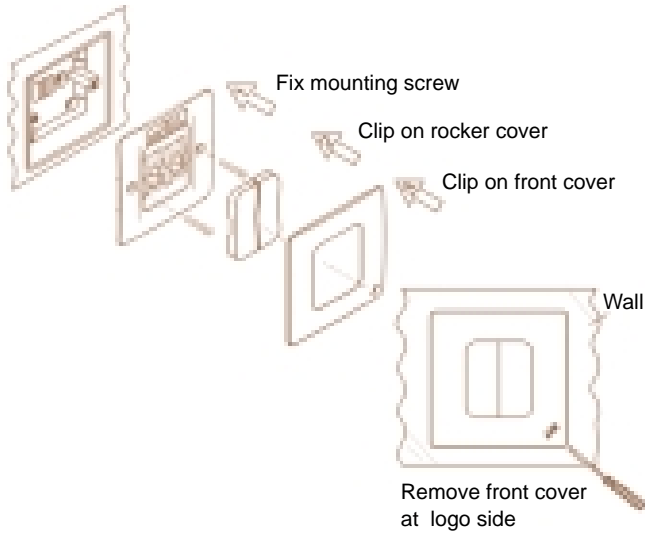


مهمات التوصيل الجديدة ذات وجه خارجي رقيق مصنوع من خامات انيقة للمعان ذات ازار بتصميم موجي متقن، مما يسبب نغومة الإستخدام.

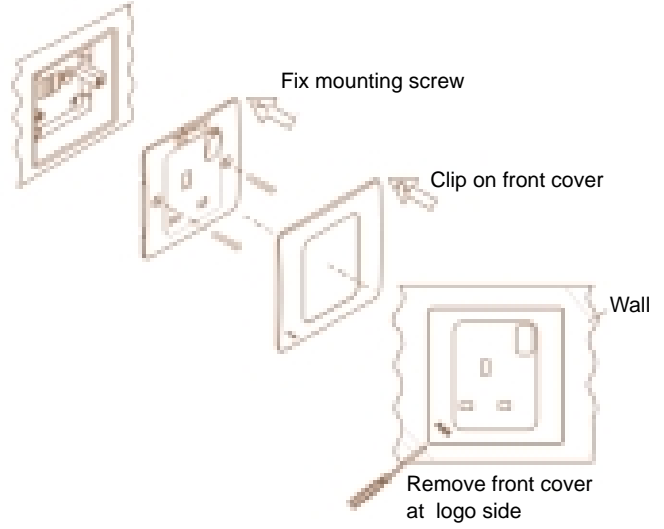
classiq Exclusiv

Easy Mounting

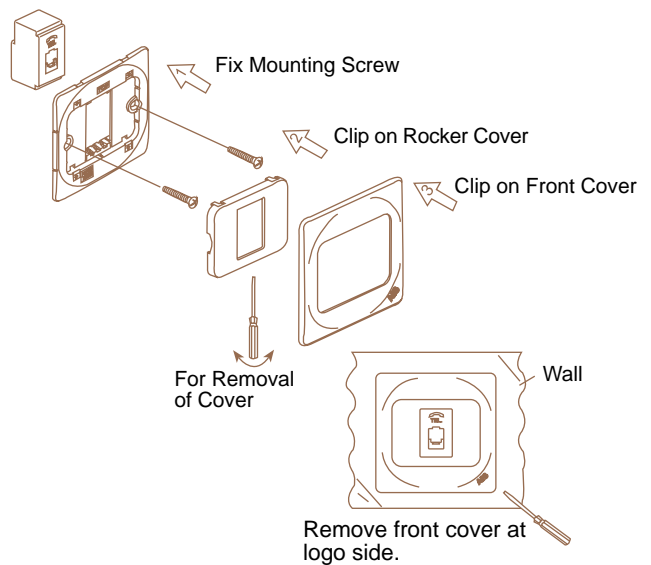
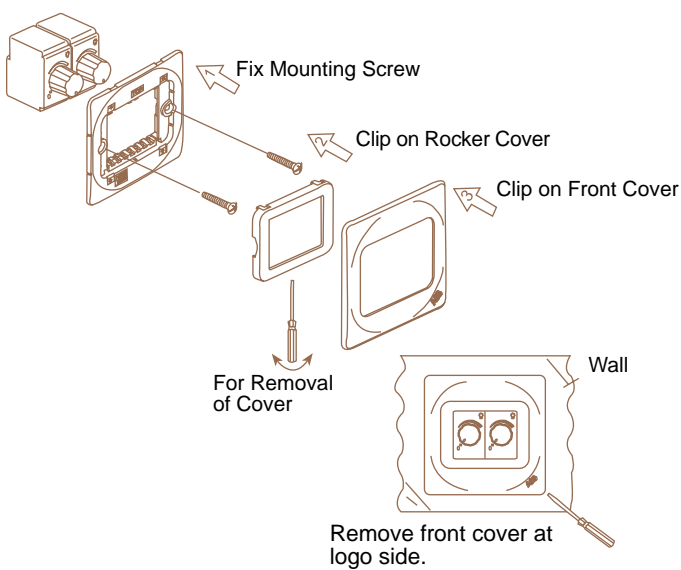
Easy mounting of switches



Easy mounting of socket outlets



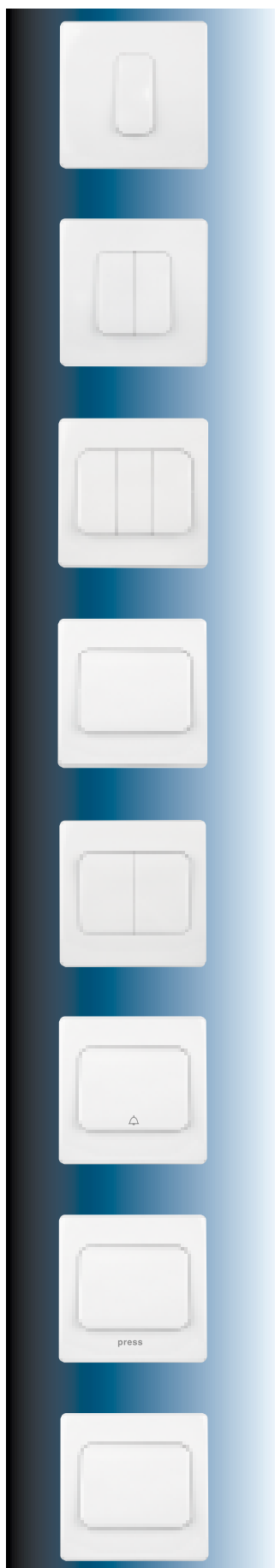
Easy Mounting of Modular Products



classiq Exclusiv

Switches

Ordering Details

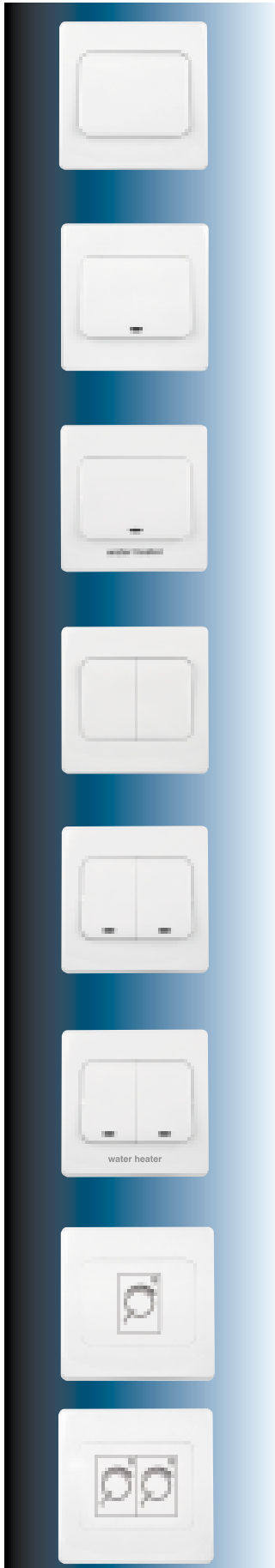


Standard	Description	Type Code	Qty Pack	Weight 1 pc/kg
BS EN 60669 IEC 60669 GB 10979 MS 616, SS 227	Switch 10AX, 250V~ 1 Gang 1 Way 1 Gang 2 Way	ESW101 ESW102	10 10	0.051 0.053
BS EN 60669 IEC 60669 GB 10979 MS 616, SS 227	Switch 10AX, 250V~ 2 Gang 1 Way 2 Gang 2 Way	ESW201 ESW202	10 10	0.062 0.066
BS EN 60669 IEC 60669 GB 10979 MS 616, SS 227	Switch 10AX, 250V~ 3 Gang 1 Way 3 Gang 2 Way	ESW301 ESW302	10 10	0.071 0.077
BS EN 60669 IEC 60669 GB 10979 MS 616, SS 227	Switch 10AX, 250V~ 1 Gang 1 Way 1 Gang 2 Way	ESW111 ESW112	10 10	0.054 0.056
BS EN 60669 IEC 60669 GB 10979 MS 616, SS 227	Switch 10AX, 250V~ 2 Gang 1 Way 2 Gang 2 Way	ESW211 ESW212	10 10	0.062 0.066
BS EN 60669 IEC 60669 GB 10979 MS 616, SS 227	Bell switch 10A, 250V~ (with bell symbol) 1 Gang 1 Way	ESW100	10	0.051
BS EN 60669 IEC 60669 GB 10979 MS 616, SS 227	Press switch 10A, 250V~ (with press marking) 1 Gang 1 Way	ESW100P	10	0.051
BS EN 60669 IEC 60669 GB 10979 MS 616, SS 227	Press switch 10A, 250V~ (without marking) 1 Gang 1 Way	ESW100N	10	0.051

classiq Exclusiv

Switches

Ordering Details (continued)

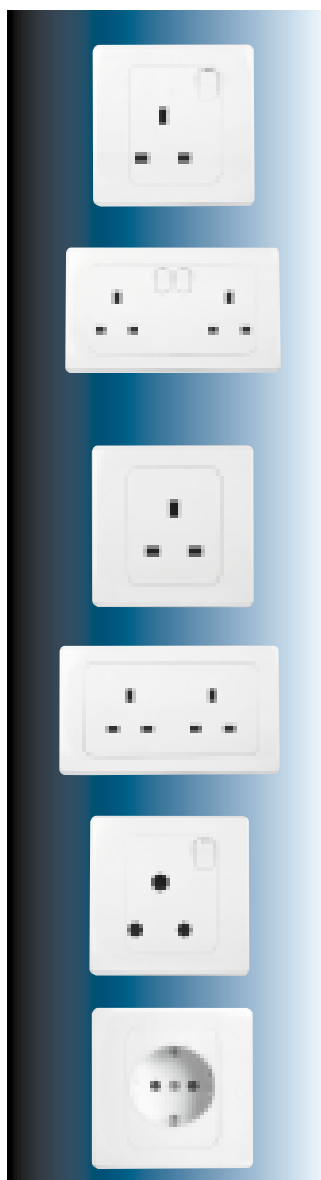


Standard	Description	Type Code	Qty Pack	Weight 1 pc/kg
BS EN 60669 IEC 60669 GB 10979 MS 616, SS 227	DP switch 2 gang 20AX, 250V~ 32A, 250 V~	ESW114 ESW144	10 10	0.073 0.075
BS EN 60669 IEC 60669 GB 10979 MS 616, SS 227	DP switch (with neon) 20AX, 250V~ 32A, 250 V~	ESW134 ESW154	10 10	0.074 0.076
BS EN 60669 IEC 60669 GB 10979 MS 616, SS 227	DP switch (with neon & water heater marking) 20AX, 250V~	ESW134M	10	0.074
BS EN 60669 IEC 60669 GB 10979 MS 616, SS 227	DP Switch 20AX, 250V~ 2 gang	ESW214	10	0.098
BS EN 60669 IEC 60669 GB 10979 MS 616, SS 227	DP Switch 2 gang (with Neon) 20AX, 250V~	ESW234	10	0.099
BS EN 60669 IEC 60669 GB 10979 MS 616, SS 227	DP Switch, 2 gang (with Neon & water heater marking) 20AX, 250V~	ESW234M	10	0.099
BS EN 60669 IEC 60669 MS 616 SS 227	Dimmer Switch, 600W, 250V~ 1 gang	EDM160	5	0.073
BS EN 60669 IEC 60669 MS 616 SS 227	Dimmer Switch, 600W, 250V~ 2 gang	EDM260	5	0.100

classiq Exclusiv

Sockets Outlets / Fuse Connection Units

Ordering Details



Sockets outlets

Standard	Description	Type Code	Qty Pack	Weight 1 pc/kg
BS 1363 MS 589, SS 145	3 pin switched socket outlet 13A, 250V~, 1 Gang	ESO113	10	0.074
BS 1363 MS 589, SS 145	3 pin switched socket outlet 13A, 250V~, 2 Gang	ESO213	5	0.125
BS 1363 MS 589, SS 145	3 pin unswitched socket outlet 13A, 250V~, 1 Gang	ESO123	10	0.073
BS 1363 MS 589, SS 145	3 pin unswitched socket outlet 13A, 250V~, 2 Gang	ESO223	5	0.125
BS 546 SS 472	Round pin switched socket outlet 15A, 250V~, 1 Gang	ESO115	10	0.076
VDE 0620 where applicable	Round pin switched socket outlet 15A, 250V~, 1 Gang	ESO115	10	0.076



Fuse connection units

Standard	Description	Type Code	Qty Pack	Weight 1 pc/kg
BS 1363 SS 403	Fuse connection unit 13A, 250V~, 1 Gang	EFC112	10	0.080
BS 1363 SS 403	Switch fuse connection unit 13A, 250V~, 1 Gang	EFC114	10	0.089
BS 1363 SS 403	Connection unit with flex outlet 13A, 250V~, 1 Gang	EFC120	10	0.062

classiq Exclusiv

Communication Outlets

Ordering Details



Standard	Description	Type Code	Qty Pack	Weight 1 pc/kg
BS 5733 FCC 68 where applicable	Telephone outlet (American type) RJ11 (single)	ETL126	10	0.048
Standard	Description	Type Code	Qty Pack	Weight 1 pc/kg
BS 5733 FCC 68 where applicable	Telephone outlet (American type) RJ11 (twin)	ETL226	10	0.059
Standard	Description	Type Code	Qty Pack	Weight 1 pc/kg
EIA / TIA T568A, T568B TSB40, BS 5733 where applicable	RJ45 cat 5 computer outlet (single)	ETL128	10	0.048
Standard	Description	Type Code	Qty Pack	Weight 1 pc/kg
EIA / TIA T568A, T568B TSB40, BS 5733 where applicable	RJ45 cat 5 computer outlet (twin)	ETL228	10	0.057
Standard	Description	Type Code	Qty Pack	Weight 1 pc/kg
BS 5733 where applicable	RJ11 & RJ45 outlet	ETL268	10	0.069
Standard	Description	Type Code	Qty Pack	Weight 1 pc/kg
BS 5733 where applicable	Telephone junction (block terminal), 10 way	ETL120	10	0.068
Standard	Description	Type Code	Qty Pack	Weight 1 pc/kg
BS 5733 where applicable	TV / FM socket outlet isolated TV / FM co-axial TV outlet	ETV242	10	0.059
Standard	Description	Type Code	Qty Pack	Weight 1 pc/kg
BS 5733 where applicable	SCV cable TV / FM outlet	ETV239	5	0.208

classiq Exclusiv

Blanking Plates / Coloured Frames

Ordering Details



Blanking plates

Standard	Description	Type Code	Qty Pack	Weight 1 pc/kg
BS 5733 where applicable	Blanking plate 1 Gang	EBP100	20	0.035

Standard	Description	Type Code	Qty Pack	Weight 1 pc/kg
BS 5733 where applicable	Blanking plate 2 Gang	EBP200	10	0.057



Coloured Frames

1 Gang frame

Description	Type Code	Qty Pack	Weight 1 pc/kg
Colour frame (Platinum)	ECF001 PT	50	0.075
Colour frame (Millennium)	ECF002 MI	50	0.075
Colour frame (Titanium)	ECF003 TT	50	0.075

2 Gang frame

Description	Type Code	Qty Pack	Weight 1 pc/kg
Colour frame (Platinum)	ECF201 PT	50	0.010
Colour frame (Millennium)	ECF202 ML	50	0.010
Colour frame (Titanium)	ECF203 TT	50	0.010