

Wall Mounting 240° Movement Detector (DM SUP 002)

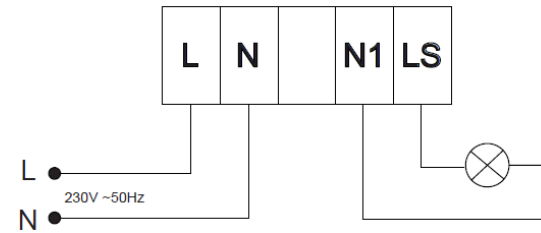
- Wall mounting IR 240° movement detector.
- For inside or outside (IP54) applications.
- High switching capacity with all kinds of loads: LEDs, fluorescence, energy saving lamps,...
- Constant light measurement, thus limiting its operation to the existing daylight.
- Time delay, brightness and sensitivity can be adjusted by control knobs or remote control (EM MAN DMO).
- Application example: parking, corridors,...



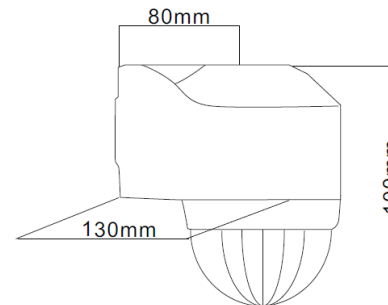
TECHNICAL SPECIFICATIONS

Power supply		230V~ 50Hz
Load	LED lamps	1,300W
	Incandescent lamps	3,000W
	230V Halogen lamps	3,000W
	LV Halogen lamps Electronic transfo	3,000W
	LV Halogen lamps Inductive transfo	2,400W
	Fluorescent tubes	1,300VA (130µF)
	CFL	18x7W, 12x11W, 10x15W, 10x20W, 10x23W
Breaking capacity		230V / 16A
Coverage		240° & 12m (max.) at 2m high
Time		5sec ~ 10min
Brightness		3Lux ~ 100Lux
Sensitivity		Adjustable
Operation temperature		-20°C ~ +40°C
Protection degree		IP54

WIRING DIAGRAM



DIMENSIONS



COVERAGE

