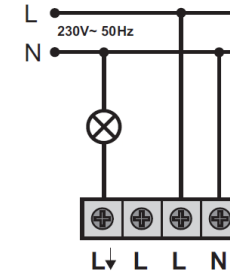


Surface-Ceiling mounted Detector (DM TEC 001)

- IR motion detector for mounting superposed on the ceiling.
- High switching capacity with all kinds of loads: LEDs, fluorescence, energy saving lamps,...
- Constant light measurement, thus limiting its operation to the existing daylight.
- Time delay, sensitivity and brightness can be adjusted by control knobs or remote control (EM MAN DMO).
- Application examples: parkings, halls, bathrooms, corridors...



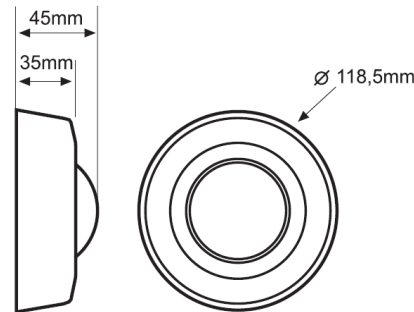
WIRING DIAGRAM



TECHNICAL SPECIFICATIONS

Power supply		230V~ 50Hz
Load	LED lamps	1,300W
	Incandescent lamps	3,000W
	230V Halogen lamps	3,000W
	LV Halogen lamps Electronic transfo	3,000W
	LV Halogen lamps Inductive transfo	2,400W
	Fluorescent tubes	1,300VA (130μF)
	CFL	18x7W, 12x11W, 10x15W, 10x20W, 10x23W
Breaking capacity		230V / 16A
Coverage		360° Ø7m (max.) at 2,5m high
Time		6sec ~ 12min
Brightness		3Lux ~ 100Lux
Sensitivity		Adjustable by remote control
Operation temperature		-10°C ~ +45°C
Protection degree		IP40

DIMENSIONS



COVERAGE

